



ceiling mount  
**bul.it™ 5-slider**

your lighting rep has recommended  
the **ceiling mount bul.it™** fixture  
for your project  
Let's take a quick look:



## sizes and lumens

**C3312**



**C3316**



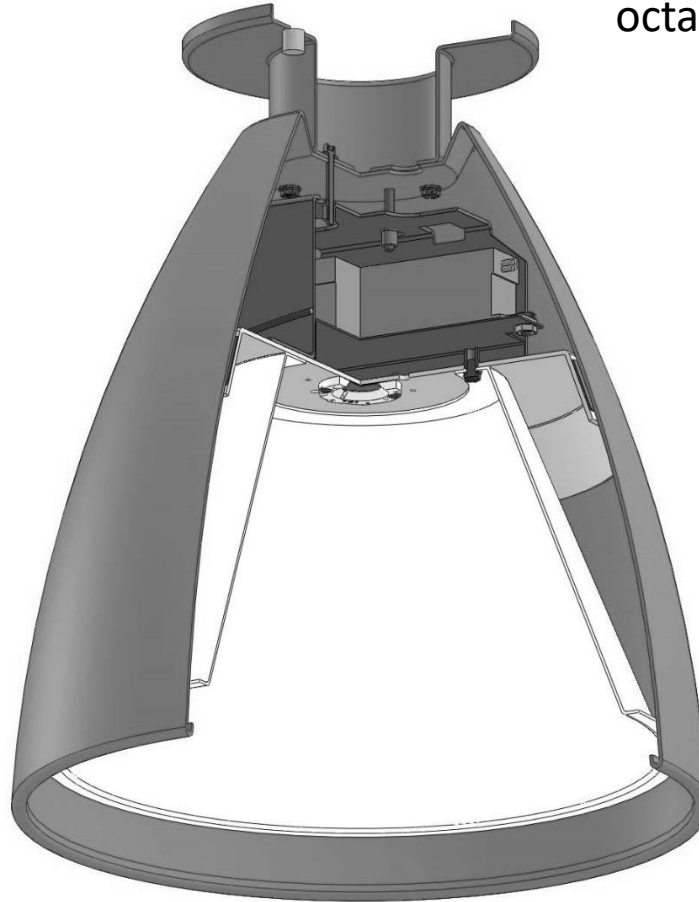
- C3312 (12") / 960 – 3065 lm
- C3316 (16") / 1600 – 3885 lm

## construction

integral programmable driver,  
constant current, field maintainable,  
input voltage 120-277V, 0-10v  
controllable, 1% dimming.

single COB LED module in  
**90+ CRI** standard  
2700K, 3000K, 3500K, and 4000K

.050" spun aluminum conical  
reflector finished in high  
reflectance (>92%) matte white  
powder coat



mounts to standard 4"  
octagon junction box

precision CNC spun .063" aluminum  
parabolic housing with rolled  
bottom edge for added strength


15 standard powder  
coat paint finishes  
+ custom RAL colors


open bottom, frosted acrylic flat lens, or  
open with decorative colored ring in  
amber, blue, frost, green, red, or yellow

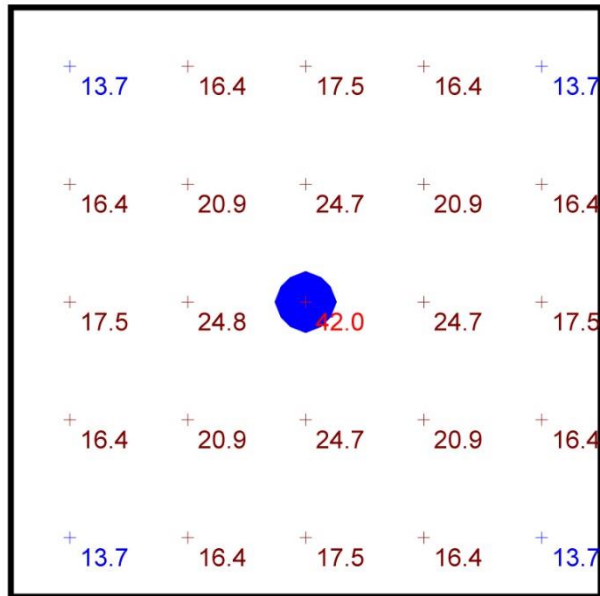
ceiling mount  
**bul.it™ 5-slider**



# performance

Schedule						
Symbol	QTY	Manufacturer	Catalog Number	Description	Lamp	Wattage
	1	Impact Architectural Lighting	C3312 40 HI	12" dia. ceiling mount bul.it luminaire w/ open bottom	4000k 90cri LED	32

Statistics						
Description	Symbol	Avg	Max	Min	Max/Min	Avg/Min
bul.it ceiling		19.2 fc	42.0 fc	13.7 fc	3.1:1	1.4:1



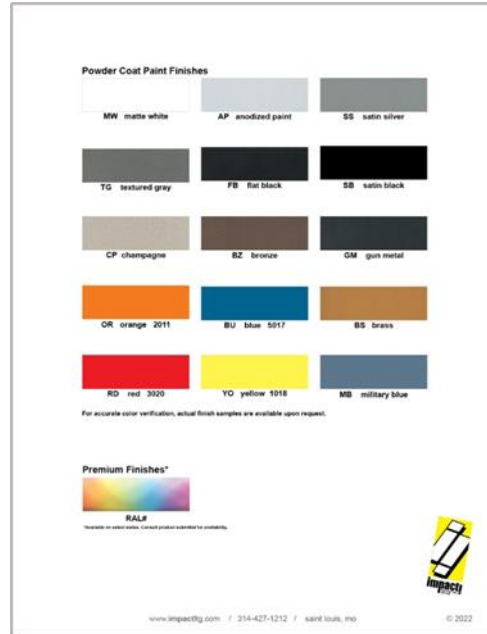
Plan View  
Scale - 1" = 2ft

- 10' x 10' x 13'H space
- 80/50/20 reflectances
- bottom of fixture at 12' aff
- FC readings at 2.5' aff
- layout conducted using C3312-HI output 90 cri (3065 delivered lumens)



ceiling mount  
bul.it™ 5-slider





[www.impacttg.com](http://www.impacttg.com)

- spec sheet and color chart
- photometric files and BIM models
- built to order in Saint Louis, MO, USA
- 4-week lead time

ceiling mount  
bul.it™ 5-slider

